

NEMO series



PRODUCT INTRODUCTION

Recessed led spotlight adopt integrated die casting lamp body design. Flexible replacement Of reflector to reach different application effect.

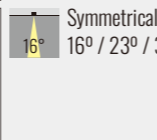
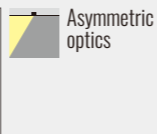
APPLICATION

Fashion shop, jewelry display and other high end accent lighting areas.

REFLECTOR COLOR OPTION

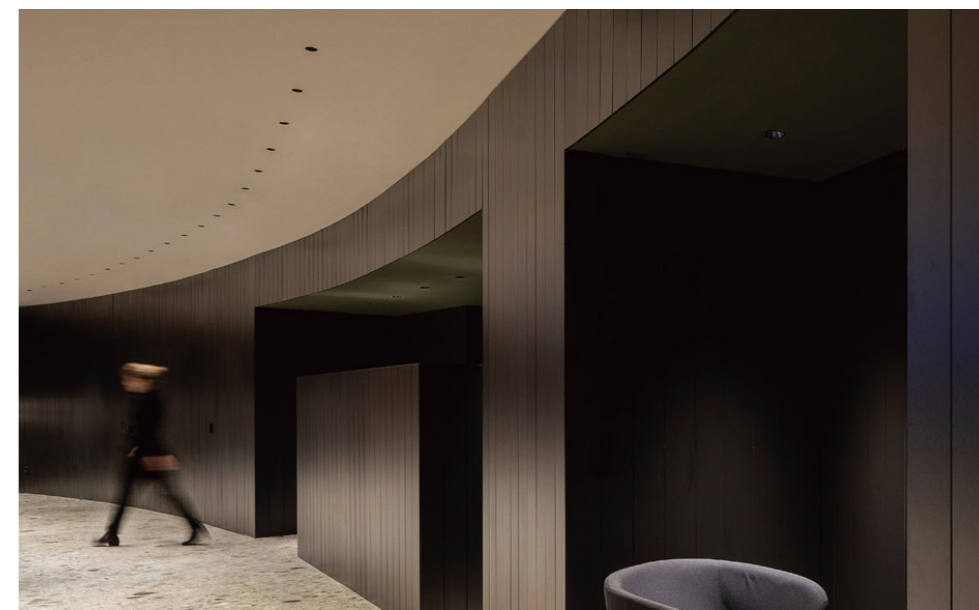
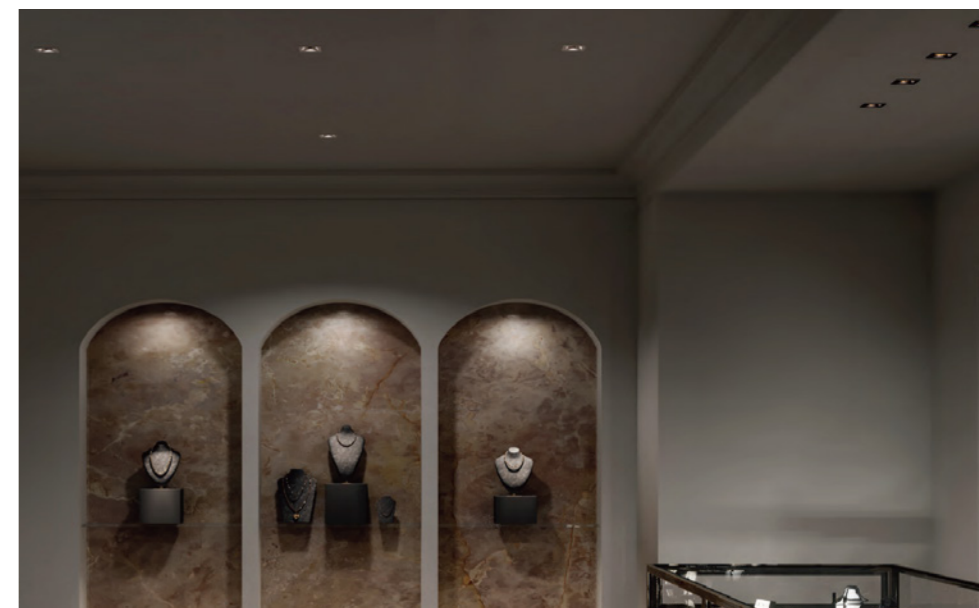


CONFIGURATION



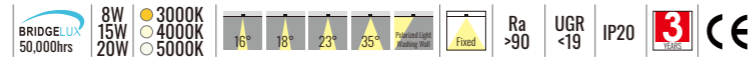
Asymmetric optics

Symmetrical
16° / 23° / 35°



NEMO series

RECESSED FIXED SPOTLIGHT



Light Source	Power	Voltage	CCT	Beam Angle	Code
COB LED	8W	AC220-240V	3000K	16°	DL-5207-08-R-3016-P-C
				23°	DL-5207-08-R-3023-P-C
				35°	DL-5207-08-R-3035-P-C
COB LED	8W	AC220-240V	4000K	16°	DL-5207-08-R-4016-P-C
				23°	DL-5207-08-R-4023-P-C
				35°	DL-5207-08-R-4035-P-C
COB LED	8W	AC220-240V	5000K	16°	DL-5207-08-R-5016-P-C
				23°	DL-5207-08-R-5023-P-C
				35°	DL-5207-08-R-5035-P-C
COB LED	15W	AC220-240V	3000K	16°	DL-5207-15-R-3016-P-C
				23°	DL-5207-15-R-3023-P-C
				35°	DL-5207-15-R-3035-P-C
COB LED	15W	AC220-240V	4000K	16°	DL-5207-15-R-4016-P-C
				23°	DL-5207-15-R-4023-P-C
				35°	DL-5207-15-R-4035-P-C
COB LED	15W	AC220-240V	5000K	16°	DL-5207-15-R-5016-P-C
				23°	DL-5207-15-R-5023-P-C
				35°	DL-5207-15-R-5035-P-C
COB LED	20W	AC220-240V	3000K	18°	DL-5207-20-R-3018-P-C
				23°	DL-5207-20-R-3023-P-C
				35°	DL-5207-20-R-3035-P-C
COB LED	20W	AC220-240V	4000K	18°	DL-5207-20-R-4018-P-C
				23°	DL-5207-20-R-4023-P-C
				35°	DL-5207-20-R-4035-P-C
COB LED	20W	AC220-240V	5000K	18°	DL-5207-20-R-5018-P-C
				23°	DL-5207-20-R-5023-P-C
				35°	DL-5207-20-R-5035-P-C

Power Supply: P (1-On / Off 2-Phase Dim 3-DALI Dim 4-1-10V Dim)

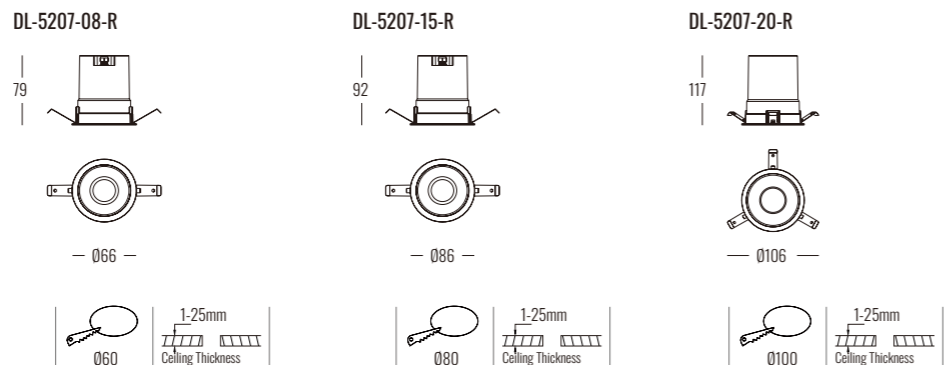
Colour Finish: C (WM-White / Matte Silver WG-Gloss Silver WO-White / Orange WR-White / Rose Gold WG-White / Gold)



Controller: On / Off, Dimmable, Dali

DIMENSION

unit:mm



NEMO series

RECESSED FIXED SPOTLIGHT



Light Source	Power	Voltage	CCT	Beam Angle	Code
COB LED	8W	AC220-240V	3000K	16°	DL-5207A-08-R-3016-P-C
				23°	DL-5207A-08-R-3023-P-C
				35°	DL-5207A-08-R-3035-P-C
COB LED	8W	AC220-240V	4000K	16°	DL-5207A-08-R-4016-P-C
				23°	DL-5207A-08-R-4023-P-C
				35°	DL-5207A-08-R-4035-P-C
COB LED	8W	AC220-240V	5000K	16°	DL-5207A-08-R-5016-P-C
				23°	DL-5207A-08-R-5023-P-C
				35°	DL-5207A-08-R-5035-P-C
COB LED	15W	AC220-240V	3000K	16°	DL-5207A-15-R-3016-P-C
				23°	DL-5207A-15-R-3023-P-C
				35°	DL-5207A-15-R-3035-P-C
COB LED	15W	AC220-240V	4000K	16°	DL-5207A-15-R-4016-P-C
				23°	DL-5207A-15-R-4023-P-C
				35°	DL-5207A-15-R-4035-P-C
COB LED	15W	AC220-240V	5000K	16°	DL-5207A-15-R-5016-P-C
				23°	DL-5207A-15-R-5023-P-C
				35°	DL-5207A-15-R-5035-P-C
COB LED	20W	AC220-240V	3000K	18°	DL-5207A-20-R-3018-P-C
				23°	DL-5207A-20-R-3023-P-C
				35°	DL-5207A-20-R-3035-P-C
COB LED	20W	AC220-240V	4000K	18°	DL-5207A-20-R-4018-P-C
				23°	DL-5207A-20-R-4023-P-C
				35°	DL-5207A-20-R-4035-P-C
COB LED	20W	AC220-240V	5000K	18°	DL-5207A-20-R-5018-P-C
				23°	DL-5207A-20-R-5023-P-C
				35°	DL-5207A-20-R-5035-P-C

Power Supply: P (1-On / Off 2-Phase Dim 3-DALI Dim 4-1-10V Dim)

Colour Finish: C (WM-White / Matte Silver WG-Gloss Silver WO-White / Orange WR-White / Rose Gold WG-White / Gold)



Controller: On / Off, Dimmable, Dali

DIMENSION

unit:mm

