



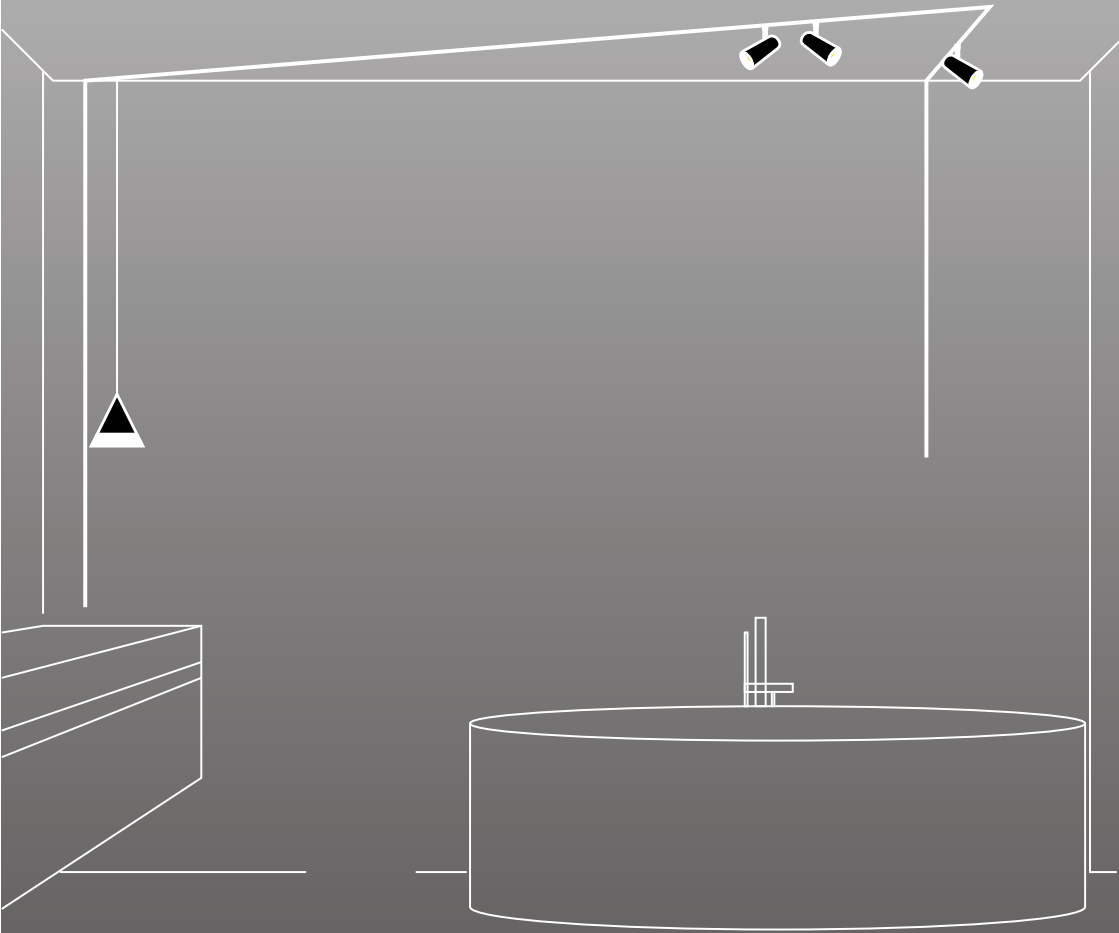
LUCE MAC

Collection



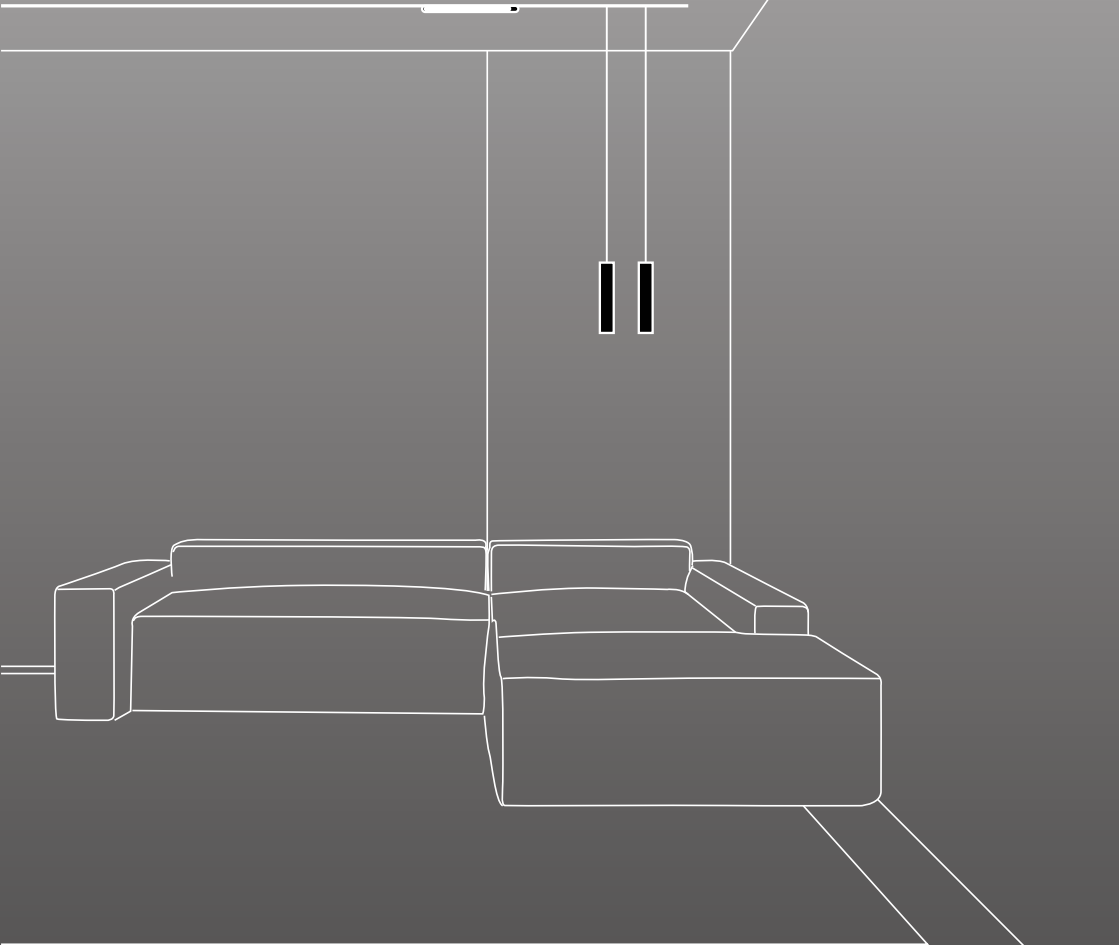


track
lighting
re-imagined



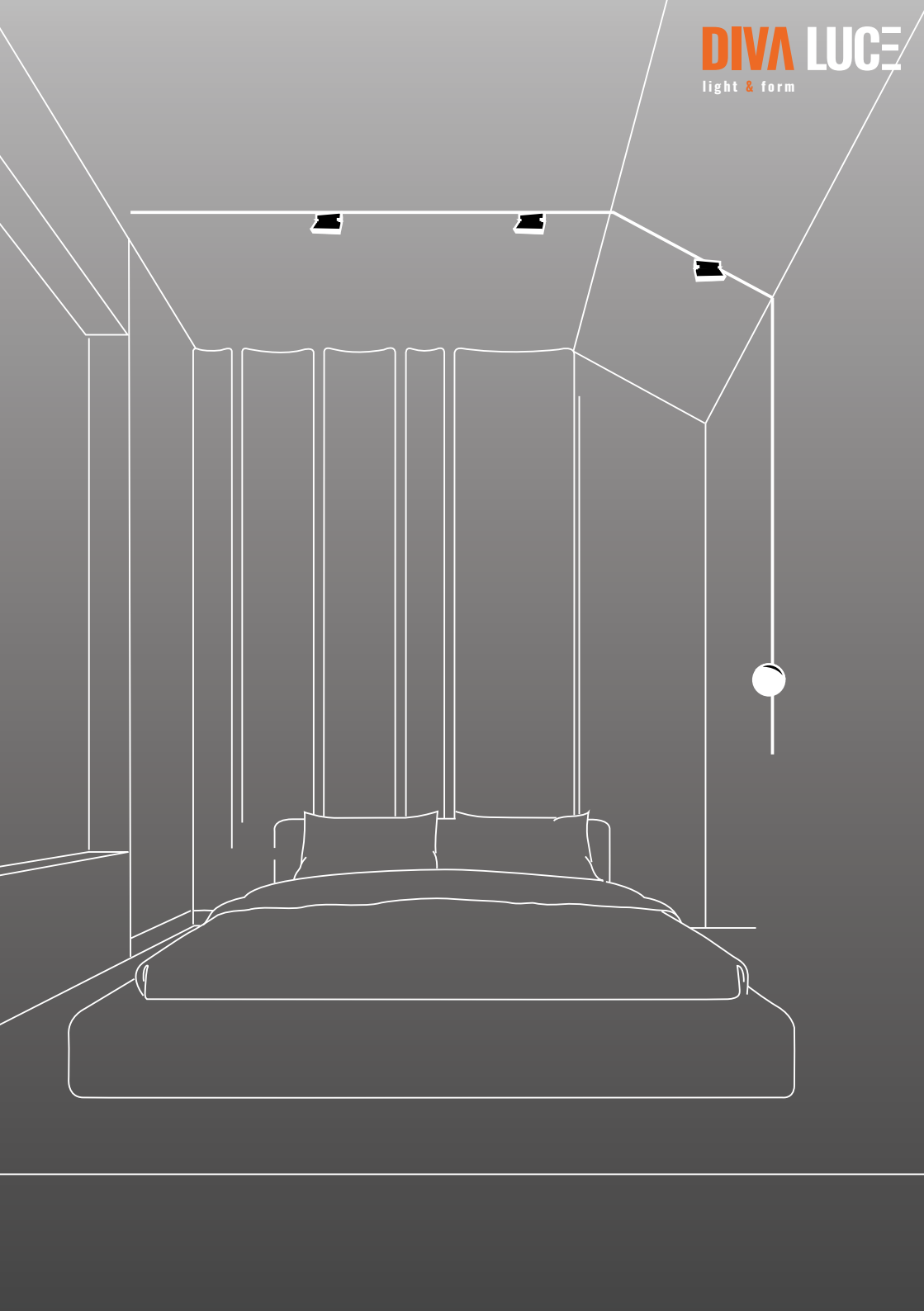


integrating
simplicity and
sophistication





integrating
simplicity and
sophistication



Kitchen





Bedroom





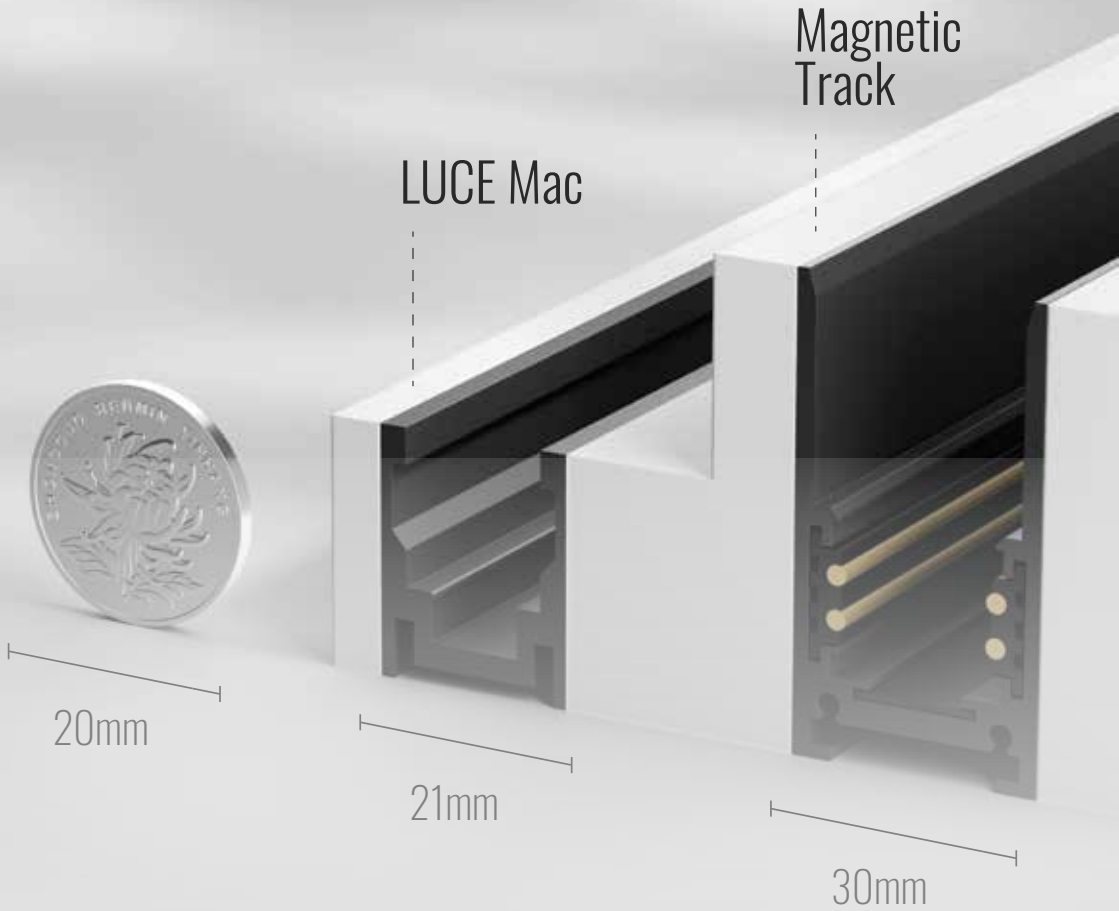
Bathroom



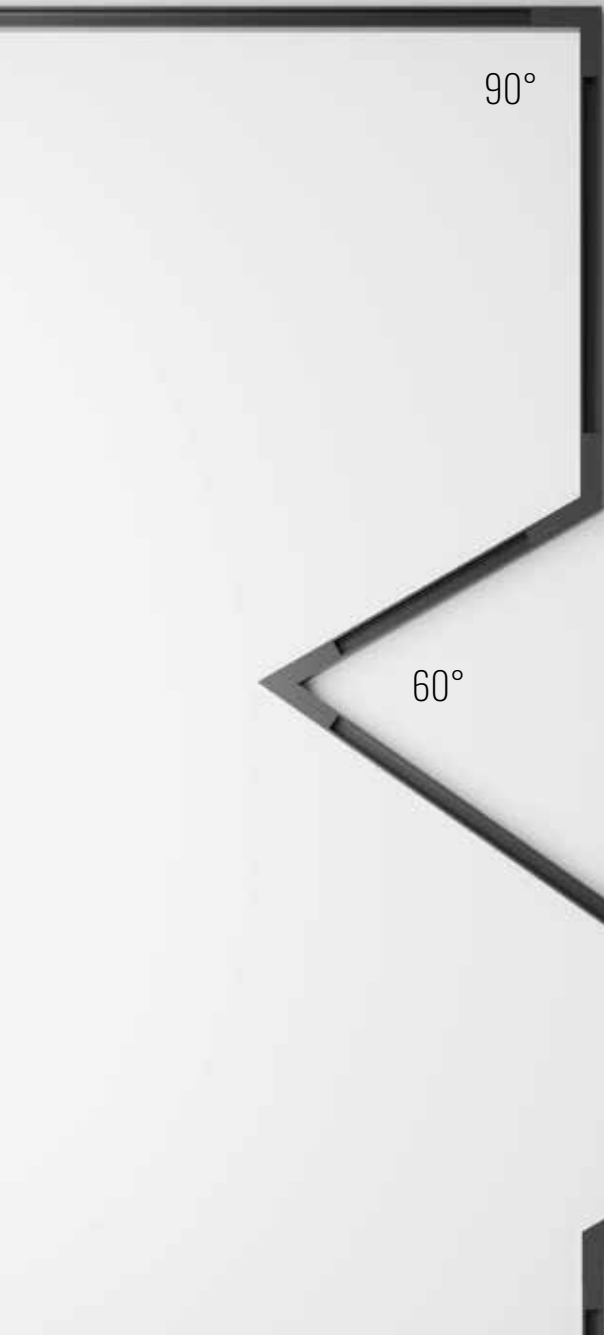


IP64 Certified





**Maximum impact,
with minimum visibility**

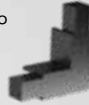


Track Corner Angles

60°



90°

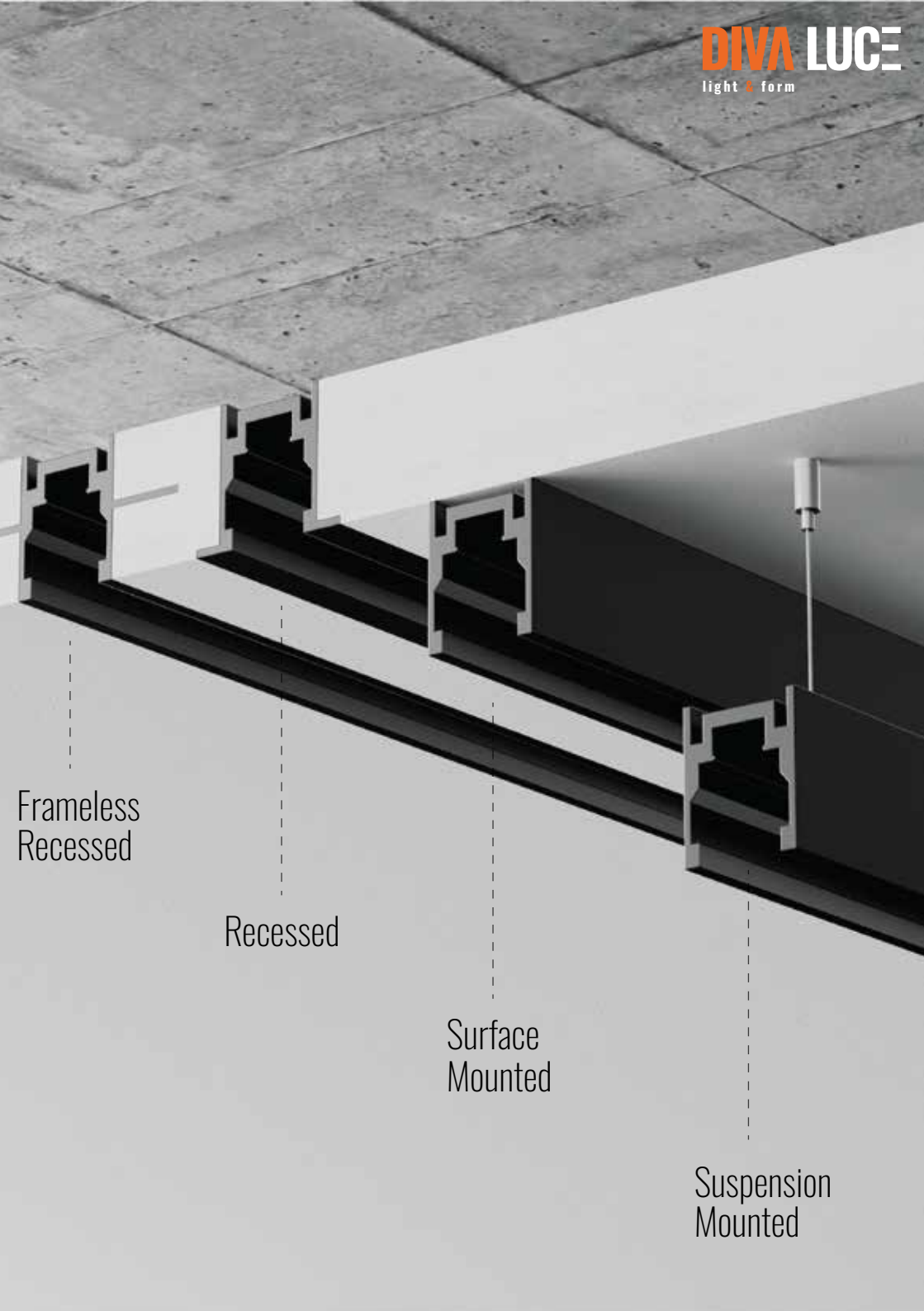


120°





Connected using newly developed “accupuncture” technology



Frameless
Recessed

Recessed

Surface
Mounted

Suspension
Mounted

INTEGRATION:
LUCE Mac connecting
to LUCE Arc.





INTEGRATION:
LUCE Mac connecting
to LUCE Bridge.

INTEGRATION:

LUCE Mac connecting
to LUCE Rail.





Example 1

Product List



1

LM-XDS-200W-350W

Power Supply Mac x1



2

LM-Track-1000-A

MAC Track -A x2



3

LM-Track-2000-A

MAC Track -A x2



4

LM-SP-022-12W

MILA Spot Mac x3



5

LM-YQBL15-5W-24V

TUBA Pendant Mac x3



6

LM-YQ100Q-6W

AURA Ball Mac x2



Example 2

Product List



1

LM-XDS-200W-350W

Power Supply Mac x1



2

LM-YM-Track-3000-P

MAC Frameless -P x11



3

LM-M-600-16W

LINEAR Diffuser Mac x9



4

LM-BXQM-11-6W

MILA Diffuser Mac x6



Example 3

Product List



1

LM-XDS-200W-350W

Power Supply Mac x1



2

LM-DB-Track-2000-A

MAC Recessed -A x3



3

LM-YQ100Q-6W

AURA Ball Mac x2



4

LM-TD2-7W

BALL Pendant Mac x3

LUCE MAC

LUCE Mac has revolutionised the field of track lighting, and has a set of accessories made specifically for the LUCE Mac technology. Below you will find all of the lighting fixtures and accessories currently available for the LUCE Mac range, from linear lights to pendant lights and many more options that will allow you to unleash your creativity, and build your space around you.



MAC Track -P

Model	LM-Track-1000-P	/	1000*23*27mm
	LM-Track-1500-P	/	1500*23*27mm
	LM-Track-2000-P	/	2000*23*27mm
	LM-Track-3000-P	/	3000*23*27mm
Angle	/		
CRI	/		
CCT	/		
Material	Plastic		



MAC Track -A

Model	LM-Track-1000-A	/	1000*21.6*27mm
	LM-Track-1500-A	/	1500*21.6*27mm
	LM-Track-2000-A	/	2000*21.6*27mm
	LM-Track-3000-A	/	3000*21.6*27mm

Angle	/
CRI	/
CCT	/
Material	Aluminum



MAC Recessed -P

Model	LM-DB-Track-1000-P	/	1000*33*27mm
	LM-DB-Track-1500-P	/	1500*33*27mm
	LM-DB-Track-2000-P	/	2000*33*27mm
	LM-DB-Track-3000-P	/	3000*33*27mm

Angle	/
CRI	/
CCT	/
Material	Plastic



MAC Recessed -A

Model	LM-DB-Track-1000-A	/	1000*31.6*27mm
	LM-DB-Track-1500-A	/	1500*31.6*27mm
	LM-DB-Track-2000-A	/	2000*31.6*27mm
	LM-DB-Track-3000-A	/	3000*31.6*27mm

Angle	/
CRI	/
CCT	/
Material	Aluminum



MAC Frameless -P

Model	LM-YM-Track-1000-P	/	L1000*W51 /23.6*H27 /13mm
	LM-YM-Track-1500-P	/	L1500*W51 /23.6*H27 /13mm
	LM-YM-Track-2000-P	/	L2000*W51 /23.6*H27 /13mm
	LM-YM-Track-3000-P	/	L3000*W51 /23.6*H27 /13mm

Angle	/
CRI	/
CCT	/
Material	Plastic



MAC Frameless -A

Model	LM-YM-Track-1000-A	/	L1000*W51.6 /21.6*H27 /20mm
	LM-YM-Track-1500-A	/	L1500*W51.6/ 21.6*H27/ 20mm
	LM-YM-Track-2000-A	/	L2000*W51.6/ 21.6*H27/ 20mm
	LM-YM-Track-3000-A	/	L3000*W51.6/ 21.6*H27/ 20mm

Angle	/
CRI	/
CCT	/
Material	Aluminum



MAC Power Line

Model	1M wire	/	1000mm
--------------	---------	---	--------

Angle	/
CRI	/
CCT	/
Material	/



LUNA Spot Mac

Model	LM-SP-011-12W	12W	D50*130mm
	LM-SP-012-18W	18W	D65*156mm
	LM-SP-013-24W	24W	D76*182mm

Angle	15°/24°/36°
CRI	Ra≥90
CCT	3000K-6000K
Material	Aluminum



MILA Spot Mac

Model	LM-SP-021-7W	7W	D45*100mm
	LM-SP-022-12W	12W	D55*115mm
	LM-SP-023-18W	18W	D65*135mm

Angle	15°/24°/36°
CRI	Ra≥90
CCT	3000K-6000K
Material	Aluminum



MILA Spot 2 Mac

Model	LM-SP-002-12W	12W	D47*105mm
	LM-SP-003-18W	18W	D57*155mm
	LM-SP-004-24W	24W	D67*155mm
	LM-SP-005-30W	30W	D74*180mm

Angle	15°/24°/36°
CRI	Ra≥90
CCT	3000K-6000K
Material	Aluminum



MILA Zoom Mac

Model	ZC-SP-032-10W	10W	D55*115mm
	ZC-SP-033-18W	18W	D65*135mm

Angle	Adjustable 10°-55°
CRI	Ra≥90
CCT	3000K-6000K
Material	Aluminum



MILA Spot 3 Mac

Model	LM-SP-062-6W	6W	D40*100mm
	LM-SP-063-12W	12W	D52*120mm
	LM-SP-064-18W	18W	D63*140mm

Angle	15°/24°/36°
CRI	Ra≥90
CCT	3000K-6000K
Material	Aluminum



MILA Spot 4 Mac

Model	ZC-SP-PZ80-30W	30W	D80*150mm
--------------	----------------	-----	-----------

Angle	24°/36°
CRI	Ra≥90
CCT	3000K-6000K
Material	Aluminum



NOVA Frame Mac

Model	LM-CG-048-12W	12W	D48*185mm
Angle	Adjustable 19.5°-34°		
CRI	Ra≥90		
CCT	3000K-6000K		
Material	Aluminum		



THEO Beam Spot Mac

Model	LM-HM-F075-8W	8W	D75*32mm
	LM-HM-F105-18W	18W	D105*32mm
Angle	24°/38°		
CRI	Ra≥90		
CCT	3000K-6000K		
Material	Aluminum		



THEO Spot Mac

Model	LM-HM-Y075-10W	10W	D75*35mm
	LM-HM-Y105-18W	18W	D105*35mm
Angle	24°/50°		
CRI	Ra≥90		
CCT	3000K-6000K		
Material	Aluminum		



BOX Spot Mac

Model	LM-HM-F093-18W	18W	93*93*47mm
Angle	15°/24°/38°/60°		
CRI	Ra≥90		
CCT	3000K-6000K		
Material	Aluminum		



LINEAR Diffuser Mac

Model	LM-M-300-8W	8W	L410*W15*H17mm
	LM-M-600-16W	16W	L710*W15*H17mm
	LM-M-900-24W	24W	L1010*W15*H17mm
Angle	100°		
CRI	Ra≥90		
CCT	3000K-6000K		
Material	Aluminum+PC		



LINEAR Blade Mac

Model	LM-D-300-8W	8W	L410*W15*H17mm
	LM-D-600-16W	16W	L710*W15*H17mm
	LM-D-900-24W	24W	L1010*W15*H17mm
Angle	15°/30°/45°		
CRI	Ra≥90		
CCT	3000K-6000K		
Material	Aluminum		



MILA Blade Mac

Model	LM-BXQD-21-6W	6W	L112*W23*H87mm
	LM-BXQD-22-12W	12W	L220*W23*H87mm
Angle	24°		
CRI	Ra≥90		
CCT	3000K-6000K		
Material	Aluminum		



MILA Diffuser Mac

Model	LM-BXQM-11-6W	6W	L118*W23*H87mm
	LM-BXQM-12-12W	12W	L231*W23*H87mm
Angle	100°		
CRI	Ra≥90		
CCT	3000K-6000K		
Material	Aluminum+PC		



TUBA Pendant Mac

Model	LM-CD-01-5W	5W	D40*203mm
Angle	24°		
CRI	Ra≥90		
CCT	3000K-6000K		
Material	Iron+Aluminum		



CONE Pendant Mac

Model	LM-CD-02S-6W	6W	Φ84*75mm
Angle	24°/36°		
CRI	Ra≥90		
CCT	3000K-6000K		
Material	Aluminum+Acrylic		



CAP Pendant Mac

Model	LM-CD-03-6W	6W	Φ85*75mm
Angle	24°/36°		
CRI	Ra≥90		
CCT	3000K-6000K		
Material	Aluminum		



AURA Ball Mac

Model	LM-YQ100Q-6W	6W	Φ100mm
Angle	220°		
CRI	Ra≥90		
CCT	3000K-6000K		
Material	Aluminum		



AURA Ball Spot Mac

Model	LM-YQ100S-12W	12W	Φ110*100mm
Angle	24°		
CRI	Ra≥90		
CCT	3000K-6000K		
Material	Aluminum		



SATELLITE Ball Mac

Model	LM-B-3W (G005)	3W	Glass dia 100mm
Angle	180°		
CRI	Ra≥90		
CCT			
Material	Aluminum+Glass+Acrylic		



SATELLITE Spot Mac

Model	LM-B-3W	3W	D20*40mm
Angle	180°		
CRI	Ra≥90		
CCT	3000K-6000K		
Material	Aluminum + Acrylic		



SATELLITE Pendant Mac

Model	LM-BD-3W (G005)	3W	Glass Dia 120mm
Angle	180°		
CRI	Ra≥90		
CCT	3000K-6000K		
Material	Aluminum+Glass+Acrylic		



SATELLITE Pendant 2 Mac

Model	LM-BD-3W	3W	Size Dia60*53mm
Angle	180°		
CRI	Ra≥90		
CCT	3000K-6000K		
Material	Aluminum+Acrylic		



PARC Pendant Mac

Model	LM-CD-04-6W	6W	D80*120mm
Angle	45°		
CRI	Ra≥90		
CCT	3000K-6000K		
Material	Aluminum		



SHUTTLE Pendant Mac

Model	LM-CD-05-6W	6W	D60*120mm
Angle	24°		
CRI	Ra≥90		
CCT	3000K-6000K		
Material	Aluminum		



KINI Pendant Mac

Model	LM-CD-06-6W	6W	D100*100mm
Angle	50°		
CRI	Ra≥90		
CCT	3000K-6000K		
Material	Aluminum		



BALL Pendant Mac

Model	LM-CD-07-12W	12W	D100*100mm
Angle	10°-55°		
CRI	Ra≥90		
CCT	3000K-6000K		
Material	Aluminum		

DIVA LUCE

light & form

www.divaluce.com

LUCE MAC